

## SPECIFICATIONS (See notes 1 & 2)

**Loudspeaker Type:** 3-way, Tri-amplified full-range, horn loaded  
**Operating Range:** 350 Hz - 18 kHz  
 350 Hz - 16 kHz (+/-3 dB with EQ)

### Maximum Inputs:

**LF:** 200W continuous, 500W program  
 40 volts RMS, 89 volts momentary peak  
 Recommended LF Power Amp:  
 420W to 600W @ 8 Ohms  
**MF:** 160W continuous, 400W program  
 36 volts RMS, 80 volts momentary peak  
 Recommended MF Power Amp:  
 330W to 480W @ 8 Ohms  
**HF:** 20W continuous, 50W program  
 13 volts RMS, 28 volts momentary peak  
 Recommended HF Power Amp:  
 40W to 60W @ 8 Ohms

### Sensitivities 1W/1m:

**LF:** 111 dB SPL (315 Hz - 1.6 kHz 1/3 octave bands)  
**MF:** 110 dB SPL (1.6 kHz - 6.3 kHz 1/3 octave bands)  
**HF:** 107 dB SPL (6.3 kHz - 16 kHz 1/3 octave bands)  
**Overall:** 111 dB SPL (250 Hz - 4 kHz speech range)

### Maximum Outputs:

**LF:** 136 dB SPL / 143 dB SPL (peak)  
**MF:** 135 dB SPL / 142 dB SPL (peak)  
**HF:** 120 dB SPL / 127 dB SPL (peak)

### Nominal Impedances:

LF: 8 Ohms, MF: 8 Ohms, HF: 8 Ohms

### Minimum Impedances:

**LF:** 7.7 Ohms @ 1.2 kHz  
**MF:** 10.5 Ohms @ 1.8 kHz  
**HF:** 9.5 Ohms @ 7.1 kHz

### Nominal -6dB Beamwidth:

60° H (+7° / -12°, 630 Hz - 12.5 kHz)  
 60° V (+9° / -18°, 630 Hz - 12.5 kHz)

**Axial Q / DI:** 20.5 / 16, 12.5 Hz - 12.5 kHz

**Recommend Crossover Frequencies:** 350 Hz / 1.5 kHz / 5 kHz

**Drivers:** **LF:** (1) M4 4 in / 102 mm exit, carbon fiber diaphragm  
**MF:** (1) EM282 2.8 in / 71 mm exit, carbon fiber diaphragm  
**HF:** (1) VHF100 1 in / 25 mm exit, mylar diaphragm

**Driver Protection:** None

**Input Connection:** (1) Neutrik NL8MP  
 (3) dual banana jacks

**Controls:** None

**Enclosure:** 13-ply 18 mm Baltic birch, Polane painted (see options)

**Enclosure Hardware:** None

### Mounting / Rigging Provisions:

(8) 3/8"-16 rigging points, W.L.L. 300 lb. vertical pull each

**Grille:** 16 gauge perforated steel (see options)

**Required Accessories:** Electronic system controller

**Supplied Accessories:** None

**Optional Accessories:** DSC42: digital system controller  
 EYBLTKIT: (4) forged 3/8"-16 eyebolts

**Dimensions:** **Height:** 46.5 in. / 1181 mm  
**Width (front):** 27.6 in. / 702 mm  
**Width (rear):** 14.7 in. / 372 mm  
**Depth:** 32.6 in. / 829 mm

**Weight:** lb. / kg

**Shipping Weight:** lb. / kg

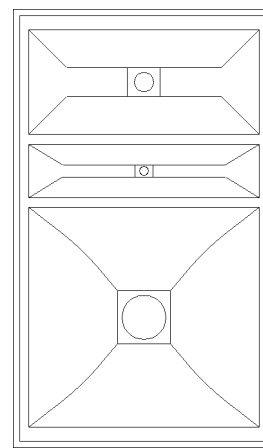
**1. Sensitivities:** Free field pink noise measurements at 20 ft / 6.1 m at 25% power; extrapolated to 1 meter and an input voltage = square root of the nominal impedance.

**2. Watts:** All wattage figures are calculated using the rated nominal impedance.

### Options:

CBA6060FE with weather-resistant fiberglass exterior finish

CBA6060NE horn flare and drivers without wood enclosure and grille.



46.5 in.  
1181 mm

## DESCRIPTION

The CBA6060 is a triamplified, high power horn-loaded system designed for medium throw applications in arenas, stadiums, and other large scale venues. The system is capable of extremely high output levels with superb clarity and transient accuracy. Mathematically correct horn loading for all drivers focuses the system's output in a 60 x 60 degree pattern over its entire bandwidth, maximizing efficiency throughout the operating range.

The CBA6060 is based around the powerful 4" M4 midrange driver for seamless coverage of the midrange from 300 Hz to 1.5 kHz. Response above the M4 is provided by a 2.8" EM282 driver operating from 1.5 kHz to 7 kHz. The M4 and EM282 have carbon fiber diaphragms for superior internal damping, high stiffness-to-mass ratios and to virtually preclude mechanical diaphragm failures. Frequencies above 7 kHz are reproduced by a 1" VHF100 driver with a tough mylar diaphragm and a patent pending suspensionless design that extends its response to beyond 18 kHz before the first diaphragm breakup mode. Low compression ratio driver designs dramatically reduce system distortion caused by air nonlinearities from high compression ratios. All drivers are designed and manufactured by Community to provide consistent quality, tight tolerances and high reliability. The unique combination of high efficiency, high power handling, and low distortion provide unprecedented, clean sound pressure levels from a single loudspeaker system.

The CBA6060's trapezoidal enclosure is made from high quality 13-ply Baltic Birch with high strength provided by robust internal bracing. The one-piece integral fiberglass horn baffle provides an extremely strong non-resonant structural mounting as well as optimum horn loading for each driver. Four 3/8"-16 rigging points are provided on the top and bottom of the enclosure, internally inter-connected top to bottom with steel rods. A removable rear panel allows easy access to the drivers for testing or repair.

Proper application of the loudspeaker requires a 3-way electronic crossover and driver alignment signal delay along with appropriate equalization. Community's DSC42 Digital System Controller is ideally suited to provide these functions. The DSC42 can also provide the full 4-way configuration required when the CBA6060 is used with its matching CBS315 bass horn system.

## FREQUENCY RESPONSE

dB SPL

NOT AVAILABLE

Frequency in Hertz

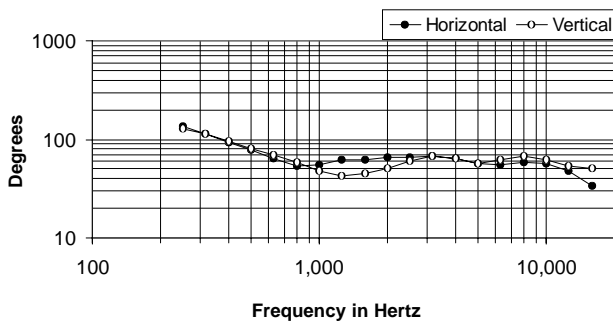
## IMPEDANCE

Ohms

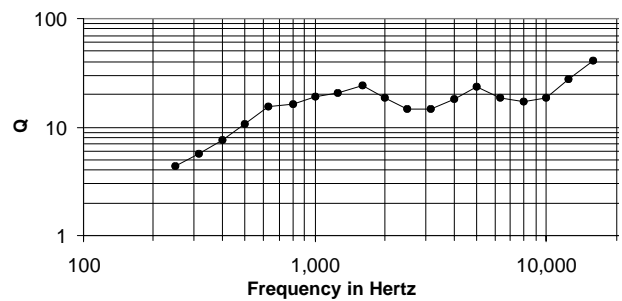
NOT AVAILABLE

Frequency in Hertz

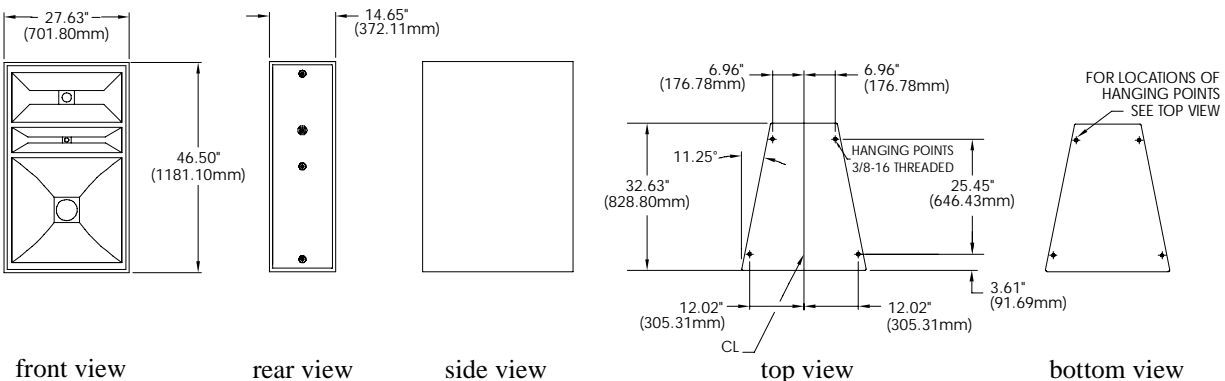
## BEAMWIDTH



## AXIAL Q



## DIMENSIONS



## ARCHITECTS' AND ENGINEERS' SPECIFICATIONS

The loudspeaker system shall be a horn-loaded, three-way, tri-amplified trapezoidal design with a 4 in. exit carbon fiber diaphragm LF compression driver, a 2.8 in exit carbon fiber MF compression driver and a 1 in. exit non-metallic diaphragm HF compression driver. All drivers shall be mounted on a single piece fiberglass waveguide. There shall be one Neutrik NL8MP input connector with three dual banana test point connectors. [There shall be one Neutrik NL8MP input connector.] {Input connection shall be via the driver terminals} The loudspeaker enclosure shall be well-braced 18 mm 13-ply Baltic birch with a 16 gauge perforated steel grille and finished with black paint. The enclosure shall have eight 3/8-16 integral threaded mounting points connected to internal steel bracing. [The loudspeaker enclosure shall be well-braced outdoor grade 18 mm 13-ply Baltic birch with a 16 gauge 3-layer Weather-Stop grille and finished with a weather resistant laminated fiberglass cladding. The enclosure shall have integral threaded mounting points connected to internal steel bracing.] {The loudspeaker shall consist of the drivers and the waveguide with no enclosure}. The system shall have an amplitude response of 300 Hz to 18 kHz (+/- 3 dB) with appropriate electronic crossover and signal processing. It shall have input capabilities of 40V RMS LF, 36V RMS MF, and 13V RMS HF with sensitivities of at least 111 dB LF, 110 dB MF and 107dB HF at one meter with a 2.83V input. All drivers shall be 8 ohms nominal impedance. The nominal dispersion shall be 60° H x 60° V from 630 Hz to 12.5 kHz. The loudspeaker shall be 46.5 in. (1181 mm) H x 27.6 in. (702 mm) W (front) x 14.7 in. (372 mm) W (rear) x 32.6 in. (829 mm) D and weigh ?? lbs. (?? kg).