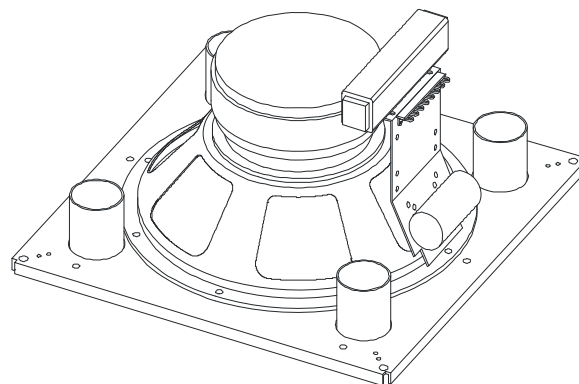


SPECIFICATIONS

Loudspeaker Type:	Ceiling mount subwoofer
Operating Range:	45 Hz to 150 kHz 50 Hz to 100 Hz (± 1.5 dB)
Max Input Ratings:	200W continuous, 500W program 35 volts RMS, 77 volts momentary peak
Recommended Power Amplifier:	420W to 600W @ 6 ohms
Sensitivity (1W/1m):	91 dB SPL (50 Hz to 100 Hz 1/3 octave bands) Free space with C12BB3
Maximum Output:	114 dB SPL (continuous level) 121 dB SPL (peak)
Nominal Impedance:	6 ohms
Minimum Impedance:	5.1 ohms @ 50 Hz
Nominal -6dB Beamwidth:	360° H x 180° V
Axial Q / DI:	1/0, 40 Hz to 150 Hz
Crossover:	Internal passive 120 Hz, 12 dB low pass
Recommended Signal Processing:	45 Hz 24 dB/Oct high pass filter
Drivers:	LF 1 x 12" Cool-Coil
Driver Protection:	None
Input Connection:	2 ft. SJOW with fast-on connectors
Controls:	None
Enclosure:	None
Mounting/Rigging Provisions:	(4) Standard baffle mounting provided with 4 mounting screws
Grille:	None
Required Accessories:	Backbox, high pass filter
Supplied Accessories:	None
Optional Accessories:	C12BB3 high density 3.0-cu.ft metal backbox C12SQGRL square white grille RAIL24-PR 23.75-inch channel rails RAIL30-PR 30-inch channel rails RAIL48-PR 47.75-inch channel rails
Dimensions—	
Square Baffle:	14.625" x 14.625" (371.48 x 371.48 mm)
Height:	Depth from back of baffle: 8.50" (215.9 mm)
Weight:	18.6 lbs (8.4 kg)
Shipping Weight:	23.1 lbs (10.5 kg)

NOTES:

- Sensitivity: Free field pink noise measurement at 4 ft (1.2 m) at 75% power; extrapolated to 1 meter and an input of 2.4 volts RMS.
- Watts: All wattage figures are calculated using the rated nominal impedance.



APPLICATIONS

- Convention centers, exhibit halls
- Corporate training rooms, ballrooms
- Swimming pools, cruise ships
- Athletic venues, sports facilities, health clubs
- Houses of worship
- Malls, airports

FEATURES

- Ceiling subwoofer assembly configured to install into standard 12-inch ceiling backboxes
- Tuned, ported bass reflex design optimized for 3.0 cubic foot backbox
- Powerful 200W continuous, 500W program
- Optional 70V/100V autoformer version available (model CLOUD12SUB-T)
- Mounted on an integral baffle
- Designed to match industry standard mechanical specification
- Five year warranty

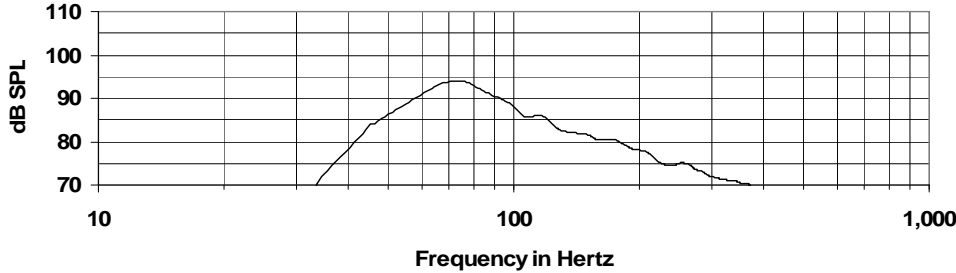
DESCRIPTION

The CLOUD12SUB is a powerful ceiling subwoofer assembly with a single 12" low frequency driver. The CLOUD Series is designed for ceiling applications requiring higher power handling and low distortion combined with smooth response.

CLOUD ceiling systems are mounted on an integral baffle. They are easily matched with industry standard backboxes, grilles and tile bridges. The CLOUD12SUB is designed for standard 6 ohm operation. An optional autoformer version (model CLOUD12SUB-T) for 70V/100V applications is also available.

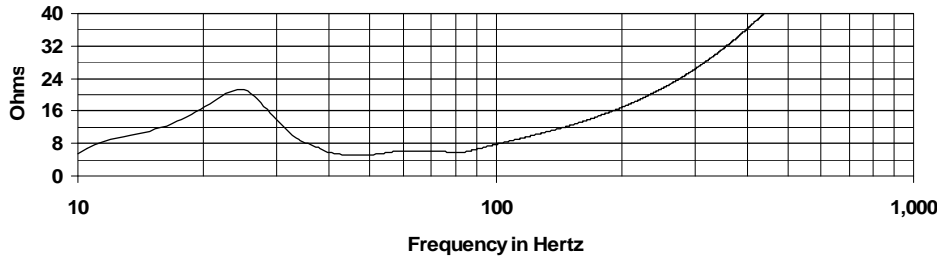
FREQUENCY RESPONSE

10 Hz Resolution, 1/8 octave smoothing

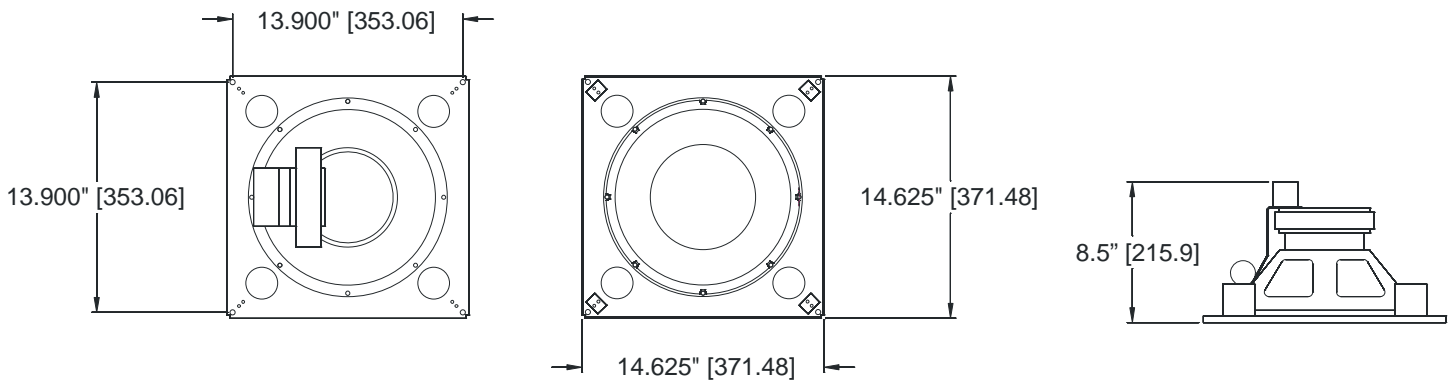


IMPEDANCE

Min Z 20 Hz - 200 Hz = 5.1 Ohms @ 50 Hz



DIMENSIONS



ARCHITECTURAL SPECIFICATIONS

The loudspeaker system shall be a bass reflex, design consisting of one 12" long excursion woofer. The input connection shall be a 2 ft. SJOW with fast-on connectors. The loudspeaker system shall have an amplitude response of 50 Hz to 100 Hz (+/- 1.5 dB SPL), an input capacity of 200W, 91 dB SPL sensitivity @ 2.4V / 1 meter at a nominal 6 ohm impedance. The nominal dispersion shall be omni-directional. The dimensions of the system are defined as 14.625" x 14.625" x 8.50" at a weight of 18.6 lbs.

Community strives to improve its products on a continual basis. Specifications are therefore subject to change without notice.