

## SPECIFICATIONS

<b>Loudspeaker Type:</b>	Voice-range horn system
<b>Operating Range:</b>	400 Hz to 8 KHz 500 Hz to 4 kHz ( $\pm 3$ dB)
<b>Max Input Ratings:</b>	75 / 38 / 19 / 9 watt autoformer taps @ 70v
<b>Sensitivity (1W/1m):</b>	114 dB SPL (400 Hz to 4 kHz 1/3 octave bands)
<b>Maximum Output:</b>	133 dB SPL / 140 dB SPL (peak)
<b>Nominal Impedance:</b>	72 ohms (75W tap @ 70V)
<b>Minimum Impedance:</b>	70.5 ohms @ 1.8 kHz (75W tap @ 70V)
<b>Nominal -6dB Beamwidth:</b>	50°H (+-4° / -9°, 2 kHz to 4 kHz) 40°V (+10° / -10°, 2 kHz to 4 kHz)
<b>Axial Q / DI:</b>	35 / 15.4, 2 kHz to 4 kHz
<b>Crossover Frequency:</b>	No internal crossover
<b>Recommended Signal Processing:</b>	400 Hz high pass filter 24dB / Oct.
<b>Drivers:</b>	MF 1 x M200, Ferrofluid-cooled
<b>Driver Protection:</b>	None
<b>Input Connection:</b>	18 gauge, 5 conductor, 12 foot SJOW cable through gland nut
<b>Controls:</b>	None
<b>Enclosure:</b>	Fiberglass
<b>Enclosure Hardware:</b>	None
<b>Mounting/Rigging Provisions:</b>	(4) 1/4" holes at the corners of the horn mouth
<b>Grille:</b>	None
<b>Environmental Performance:</b>	IEC529 IP65W rating with a minimum 5-degree downward aiming angle
<b>Required Accessories:</b>	400 Hz high pass filter 24 dB / Oct.
<b>Supplied Accessories:</b>	Swivel yoke bracket
<b>Optional Accessories:</b>	System controller
<b>Dimensions—Height:</b>	9.75 inches (248 mm)
<b>Width (front):</b>	17.63 inches (448 mm)
<b>Width (rear):</b>	10.5 inches (267 mm)
<b>Depth:</b>	25 inches (635 mm)
<b>Weight (with bracket):</b>	24.3 lbs (11 kg)
<b>Shipping Weight:</b>	30 lbs (13.6 kg)

### NOTES:

1. Sensitivity: Free field pink noise measurement at 40 ft (12.2 m) at 100% power; extrapolated to 1 meter and an input of 3.4 volts RMS.
2. Watts: All wattage figures are calculated using the rated nominal driver impedance.



### APPLICATIONS

- Voice warning systems
- Large public gatherings
- Industrial paging

### FEATURES

- 2-inch (51 mm) throat exit M200 driver
- Low distortion, high efficiency
- High power output
- Non-metallic diaphragm
- Factory-installed autoformer for 70V/100V applications
- Swivel yoke bracket included
- Highly resistant to harsh environments, IP65 rating

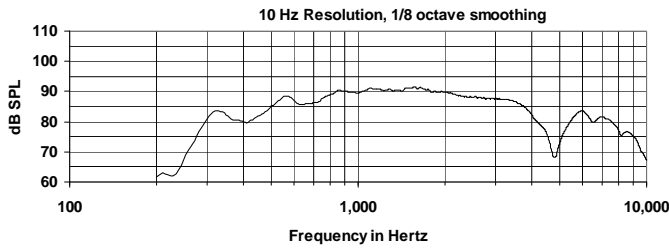
### DESCRIPTION

The RMG-200AT is a complete horn/driver system designed for use in stand-alone voice-range sound reinforcement and announcement/signaling applications. The RMG-200AT provides focused, high output sound projection, with predictable performance and exceptional long-term durability. The horn portion of the assembly is a handcrafted one-piece waveguide, precision molded in hand-laminated, fiber-reinforced fiberglass for optimum performance. With substantial fiberglass layering and integral throat and driver flange construction, the horn is built to withstand substantial torque loads. The inherent strength and rigidity of the fiberglass construction enhances sonic efficiency by preventing sound energy loss, as well as providing inherently weatherproof fabrication.

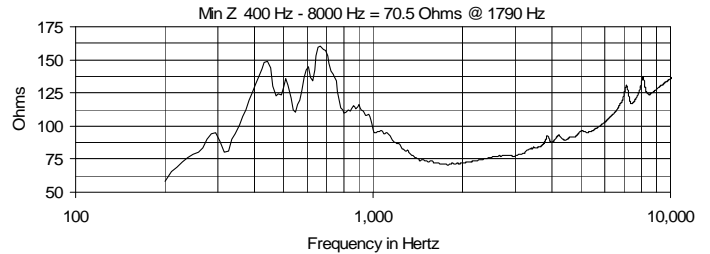
The compression driver is a high output, high sensitivity loudspeaker that is configured with the diaphragm facing forward, isolating the voice coil and magnetic structure from the environment. The one-piece, non-metallic diaphragm/suspension offers exceptional resistance to the effects of humidity, dust, and corrosive atmospheres. The large area, low compression phase plug loading and large magnet structure exhibits extremely low distortion at high outputs while maintaining high efficiency and low power compression. A fiberglass rear cover protects the driver and transformer from the effects of weather and corrosion.

A factory-installed weather-resistant steel swivel yoke bracket is included. There is a five-year warranty against manufacturing defects on all components of the system.

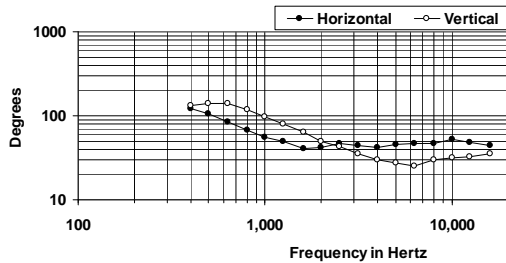
## FREQUENCY RESPONSE



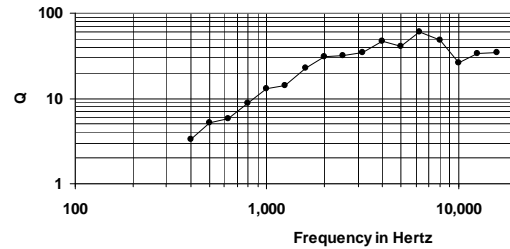
## IMPEDANCE 75W



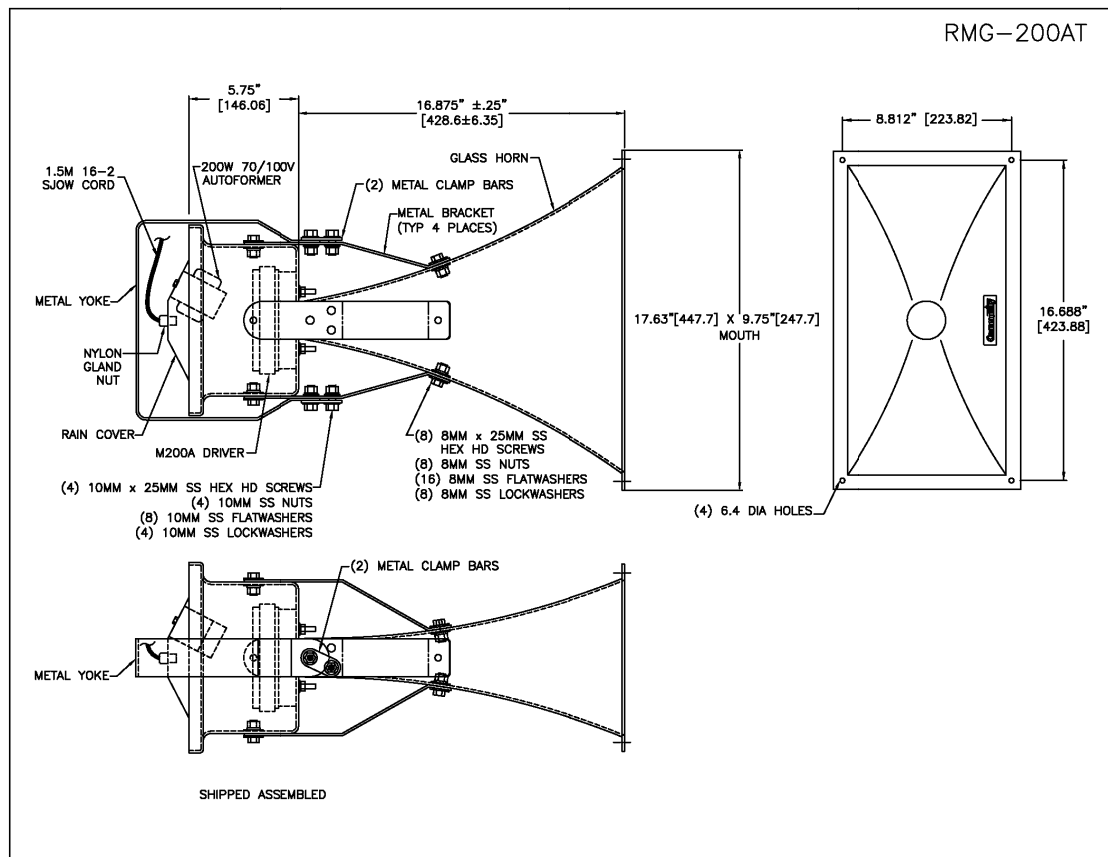
## BEAMWIDTH



## AXIAL Q



## DIMENSIONS



## ARCHITECTURAL SPECIFICATIONS

The driver shall be a 2-inch (51 mm) exit compression type, specifically designed for midrange frequency response. The 2-inch (51 mm) driver shall be mounted within a fiberglass exponential horn with an integral fiberglass weather resistant cover incorporating gland nut cable ingress. The horn and driver combination shall have an amplitude response of 500 Hz to 4 kHz dB (+/- 3.0 dB), with an input capability of 24V RMS, 115 dB sensitivity at 1 meter / 3.4v, and a nominal impedance of 11 Ohms when the coupling autoformer is bypassed. The system shall incorporate a high quality 75W 70V/100V autoformer with multiple power taps. The driver shall incorporate a large magnet structure, a one-piece, non-metallic diaphragm / suspension, and a copper-clad aluminum edgewound voice coil on a Kapton former immersed in Ferrofluid. The compression ratio shall be 1.84 to 1. The diaphragm assembly shall be field replaceable. The horn/driver system shall weigh 24.3 lbs (11 kg) with the bracket.

Community strives to improve its products on a continual basis. Specifications are therefore subject to change without notice.