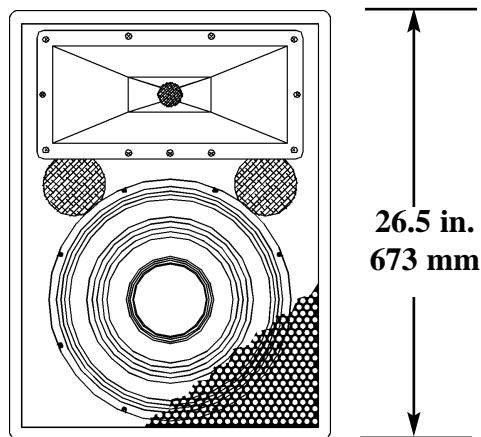


## SPECIFICATIONS (See notes 1 and 2)

- Loudspeaker Type:** 2-way, Stage monitor, bass ported  
**Operating Range:** 50 Hz - 18 kHz  
 50 Hz - 18 kHz (+/-5dB)  
**Max Input (Passive):** 200W continuous, 500W program  
 40 volts RMS, 89 volts momentary peak  
**Recommended Power Amp:**  
 420W to 600W @ 8 Ohms  
**Max Inputs (Biamp):**  
 LF: (Same as for Passive mode)  
 Recommended LF Power Amp: (Same as for Passive mode)  
 HF: 50W continuous, 125W program  
 20 volts RMS, 45 volts momentary peak  
 Recommended HF Power Amp: 100W to 150W @ 8 Ohms  
**Sensitivity 1W/1m:**  
 98dB SPL (63 Hz - 16 kHz 1/3 octave bands)  
 98 dB SPL (250 Hz - 4 kHz speech range)  
**Maximum Output:** 121 dB SPL / 128 dB SPL (peak)  
**Nominal Impedance (passive):** 8 Ohms  
**Min Impedance:** 5.2 Ohms @ 160 Hz  
**Nominal Impedances (Biamp):** LF: 8 Ohms, HF: 8 Ohms  
**Nominal -6dB Beamwidth:**  
 80° H (+0° / -26°, 2 kHz - 10 kHz)  
 35° V (+16° / -9°, 2 kHz - 10 kHz)  
**Axial Q / DI:**  
 21.2 / 13.3, 2 kHz - 10 kHz  
**Crossover Frequency:** 2 kHz  
**Recommended Signal Processing:** 40 Hz high pass filter  
**Drivers:**  
 LF (1) 15", Ferrofluid-cooled  
 HF (1) 1" exit, titanium diaphragm  
**Driver Protection:** PowerSense™ DDP  
**Input Connection:** (2) Neutrik NL4MP, (2) 1/4 in.jack  
**Controls:** Passive / Biamp switch  
 2 position HF level switch  
**Enclosure:** 13-ply 18 mm Baltic birch, Polane painted (see options)  
**Enclosure Hardware:**  
 (2) Steel recessed bar handles  
 (4) Heavy-duty rubber feet  
**Mounting / Rigging Provisions:**  
 (2) 5/16-18 mounting points  
 (4) 5/16-18 stand adapter attachment points  
**Grille:** 16 gauge perforated steel, black powder coated (see options)  
**Required Accessories:** None  
**Supplied Accessories:** None  
**Optional Accessories:** CSSUPKIT: 2 steel straps for rigging  
**Dimensions (in normal operating position):**  
 Height: 19.3 in. / 490 mm  
 Width: 19.5 in. / 494 mm  
 Depth: 30.9 in. / 785 mm  
**Weight:** 60 lb. / 27.2 kg  
**Shipping Weight:** 68 lb. / 30.9 kg

- 1. Sensitivity:** Free field pink noise measurement at 20 ft / 6.1 m at 25% power; extrapolated to 1 meter and an input of 2.83 volts RMS.  
**2. Watts:** All wattage figures are calculated using the rated nominal impedance.



## APPLICATIONS:

- Theatres / Auditoria
- Live PA
- Houses of Worship
- Sport Facilities & Health Clubs
- Clubs

## FEATURES:

- 1" Titanium HF Driver
- Switchable Passive / Biamp Modes
- 2 Position HF Level Switch
- PowerSense™ DDP Circuit with Front & Side Indicators
- Wedge-type Enclosure for Stage Monitoring
- Steel Bar-Handles and Steel Input Panel
- Mounting Points
- Choice of Black, White, or Unfinished Exterior

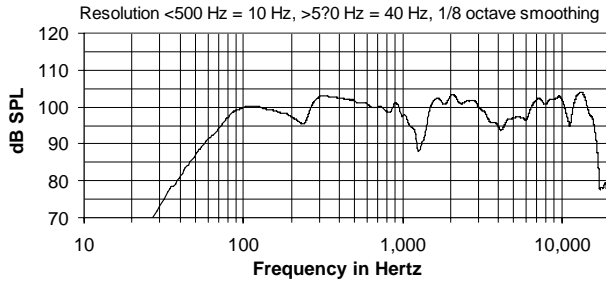
## DESCRIPTION

The XLT48E is a compact high-efficiency wedge-type two-way stage monitor system with clear articulate output and smooth frequency response. It features a 15" Ferrofluid-cooled woofer and a 1" titanium diaphragm compression driver coupled to a 90 x 40 degree Pattern Control horn in a heavily-braced, optimally tuned, bass reflex enclosure. There is a choice of two HF horns for the XLT48E - a 90 x 40 (XLT48E-94) and a 60 x 40 (XLT48E-64). A robust crossover with dynamic driver protection monitors the power to each driver and absorbs excessive power. A rear panel LED illuminates when the protection circuitry is active, warning the operator of excessive power input. A Passive / Biamp switch allows easy switch-over between two modes of operation. The 13 ply Baltic birch enclosure is available finished in black or white paint or unfinished ready for painting or staining. Five year warranty.

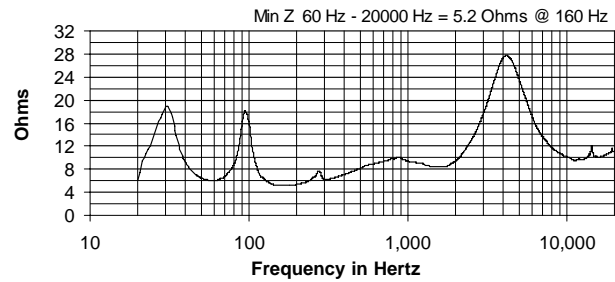
## OPTIONS:

- XLT48E-94B = black painted  
 XLT48E-94W = white painted  
 XLT48E-94U = unfinished  
 Grille: white has white cloth covering, unfinished  
 has brown cloth covering

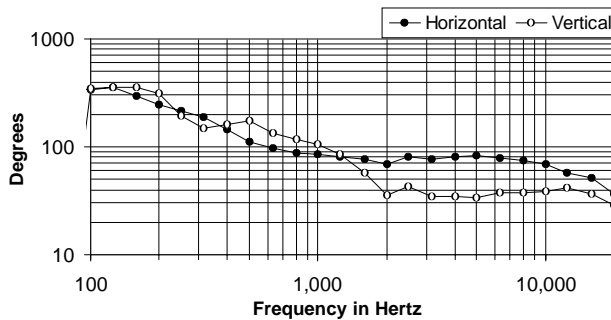
## FREQUENCY RESPONSE



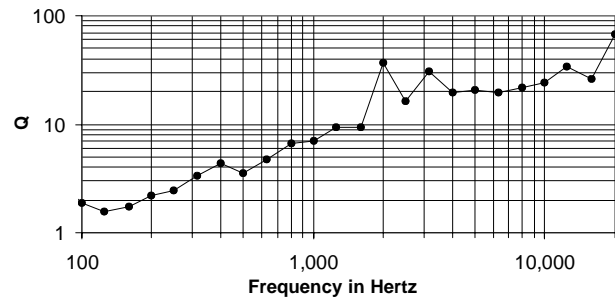
## IMPEDANCE



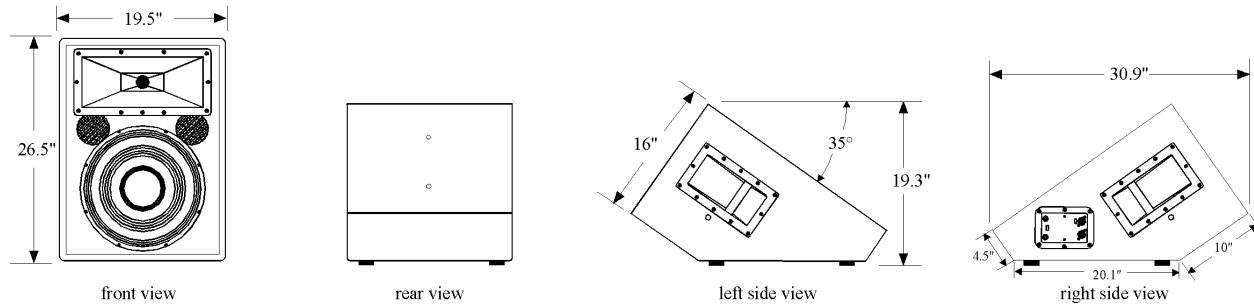
## BEAMWIDTH



## AXIAL Q



## DIMENSIONS



## ARCHITECTS' AND ENGINEERS' SPECIFICATIONS

The loudspeaker system shall be a two-way, full-range wedge-type bass reflex design. The loudspeaker system shall have one 15 in. Ferrofluid-cooled woofer and one 1 in. exit HF driver with a titanium diaphragm mounted to a 90° HF fiberglass horn. Drivers shall be connected to an integral crossover with a crossover frequency of 2 kHz and integral over-current protection circuitry using high positive current coefficient resistors. There shall be two NL4MP connectors and two 1/4" phone jack connectors with a switch for passive or biamplified connection and rear-facing LED over-power indicator light. The loudspeaker enclosure shall be 13-ply Baltic birch plywood with a 16 gauge perforated steel grille {with a white {{brown}}cloth cover} and {{unfinished.}}finished with black {white} paint. The system shall have an amplitude response of 50 Hz to 18 kHz (+/- 5 dB), input capability of 40V RMS, 98 dB sensitivity at one meter and 2.83V / 8 ohms nominal impedance. The nominal dispersion shall be 80°H x 35°V from 2 kHz to 10 kHz. The loudspeaker shall be 19.3 in. (490 mm) H x 19.5 in. (494 mm) W x 30.9 in. (785 mm) D and weigh 60 lbs (27.2 kg).