



Applications

- ◆ Theatre/Auditoria.
- ◆ Houses of Worship.
- ◆ Dance Clubs/Discotheques.
- ◆ Live Sound Reinforcement.
- ◆ Multi-Use Sports Facilities & Stadiums.
- ◆ Audio Visual.

Features

- ◆ (2) 12" (300mm) Cool Coil™ LF Devices.
- ◆ Large port area for optimal LF tuning.
- ◆ Same cabinet profile and dimensions as the iHP1200 Series Mid/Hi Cabinets.
- ◆ (23) Load-rated M10 Rigging Points.
- ◆ (4) M8 OmniMount™ 120 inserts.
- ◆ Robust Tuf-Coat™ Finish.
- ◆ Dual NL4-compatible locking connectors and Barrier Strip Inputs.

Description

The i212S is a high power, trapezoidal, installation subwoofer designed to complement the iHP1200 Series Mid/Hi cabinets. The exterior dimensions of the i212S match those of the iHP1200 Series, thereby allowing Mid/Hi cabinets and LF sections to be combined together in aesthetically pleasing arrays and clusters that are acoustically and aesthetically designed to work together. The i212S is not limited to flown systems; its small footprint makes it the ideal choice where space enables it to be used without being obtrusive.

The i212S is comprised of dual 12" (300mm) high power Cool Coil™ low frequency drivers in a front loaded, ported configuration.

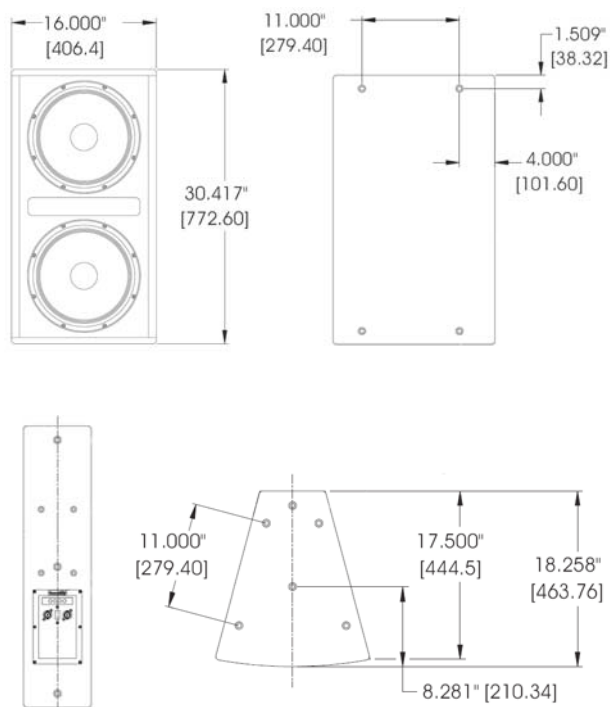
The rugged 13-ply Baltic birch enclosure is finished with Community's robust, smooth Tuf-Coat™ finish. The enclosure also incorporates 23 load-rated M10 rigging points and 4 M8 OmniMount™ 120 inserts in the rear of the enclosure. Simple and flexible installation is achieved using optional hardware from an extensive range designed specifically for the iBOX series. See the iBOX Hardware Guide for more details.

i212S

HIGH POWER, 2 x 12-INCH, INSTALLATION, TRAPEZOIDAL SUBWOOFER

Community
True to Specification

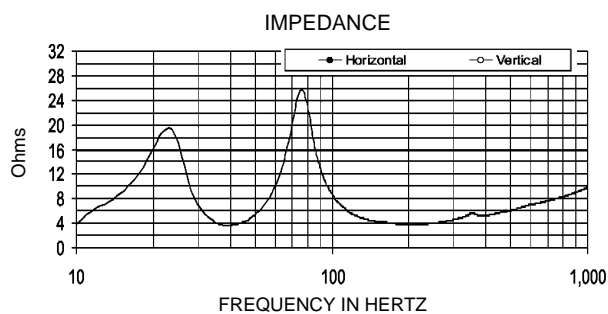
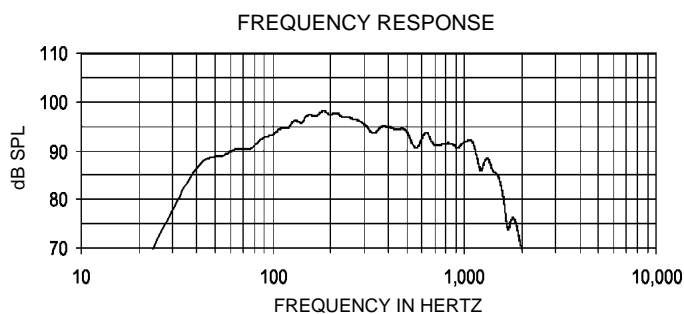
Line Drawings and Specifications



Loudspeaker Type:	Ported Subwoofer
Operating Range (+/- 3dB):	45 Hz - 100Hz
-10dB Point:	35 Hz
Max Input Ratings:	RMS (Passive) 1200W, Program 3000W
Recommended Power Amplifier:	2,500W to 3,500W @ 4 Ohms
Sensitivity 1W/1m:	96 dB SPL
Maximum Output:	127 dB SPL / 134 dB SPL (peak)
Nominal Impedance:	4 Ohms
Min Impedance:	3.6 Ohms
Nominal -6dB Beamwidth:	360° H x 180° V
Crossover Frequency:	n/a
Recommended Signal Processing:	35Hz 24dB / Octave High pass filter
Drivers:	LF (2) 12" Cool Coil™ LF Device
Input Connection:	(2) NL4-compatible locking connectors (4) Terminal Barrier Strip
Controls:	None
Enclosure:	13-ply Baltic birch 30° total pitch angle
Mounting / Rigging Provisions:	(23) NL4-compatible locking connectors (4) M8 Omnimount™ inserts
Grille:	Steel, foam backed.
Optional Accessories:	Mounting / Rigging hardware - See the iBOX Hardware Guide for more information.
Dimensions:	Height: 30.42 in. / 773 mm Width: 16.00 in. / 407 mm Depth: 18.26 in. / 464 mm
Weight:	97lbs. / 44kg
Shipping Weight:	112lbs. / 43.5kg

- 1. Sensitivity:** Free field pink noise measurement at 5 ft / 1.5 m at 50% power; extrapolated to 1 meter and an input of 2.83 volts RMS.
- 2. Watts:** All wattage figures are calculated using the rated nominal impedance.

Measurements



Architects

The loudspeaker system shall be a subwoofer in a front loaded, ported configuration with dual 12 in. Cool Coil™ LF drivers. There shall be one four-terminal barrier strip and two NL4-compatible locking connectors. The loudspeaker enclosure shall be 13-ply Baltic birch plywood and shall be fitted with 23 x M10 and 4 x M8 flying/rigging inserts and finished with Tuf-Coat™. The front of the enclosure shall be fitted with a 16 gauge perforated steel grille backed with foam. The system shall have an amplitude response of 45 Hz to 100 Hz (+/- 3 dB), input capability of 69 V RMS, 96 dB sensitivity at one meter and 2.83V / 4 ohms nominal impedance. The nominal dispersion shall be 360° H x 180° V. The loudspeaker shall be 30.42 in. (773 mm) H x 16.00 in. (407 mm) W(front) x 6.83 in. (173 mm) W (rear) x 18.26 in. (464 mm) D and weigh 97 lbs (44 kg).

Community Professional Loudspeakers
333 East Fifth Street, Chester, PA 19013-4511 USA
610-876-3400 • Fax 610-874-0190
www.communitypro.com

